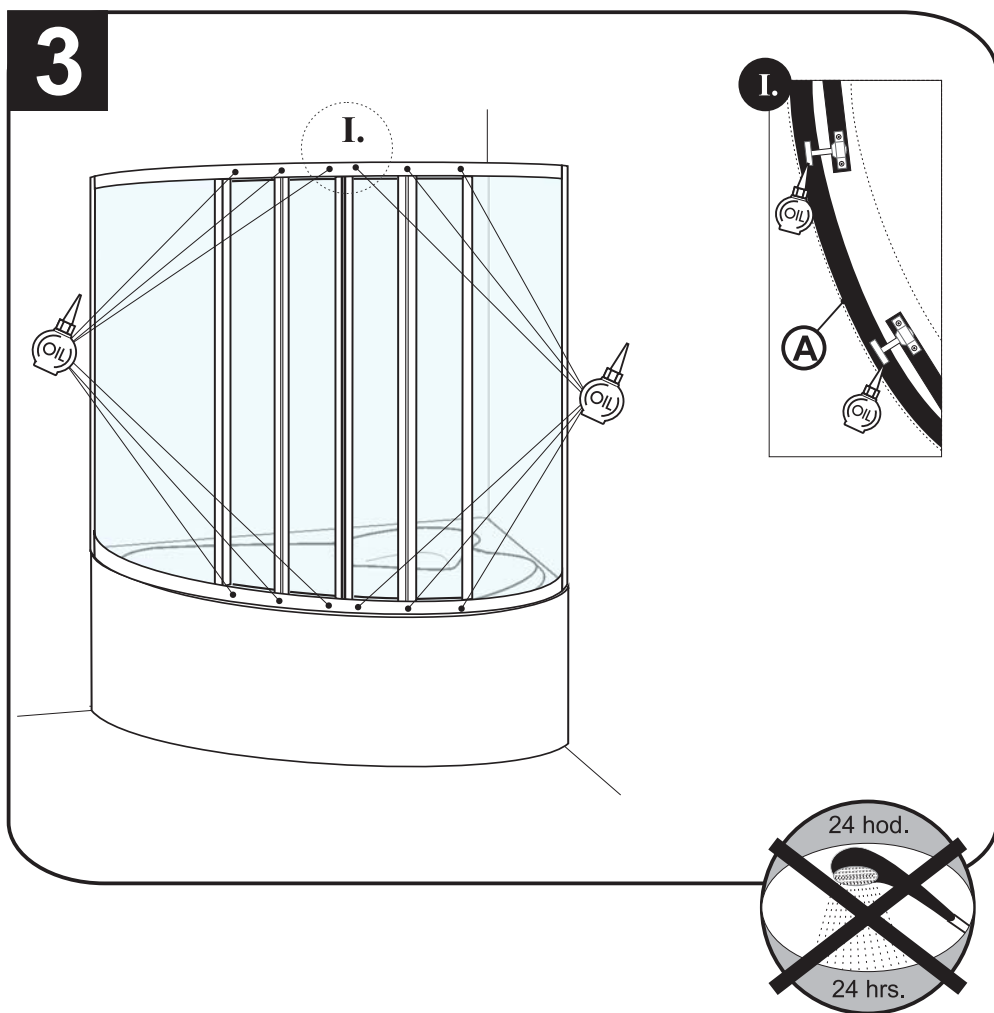
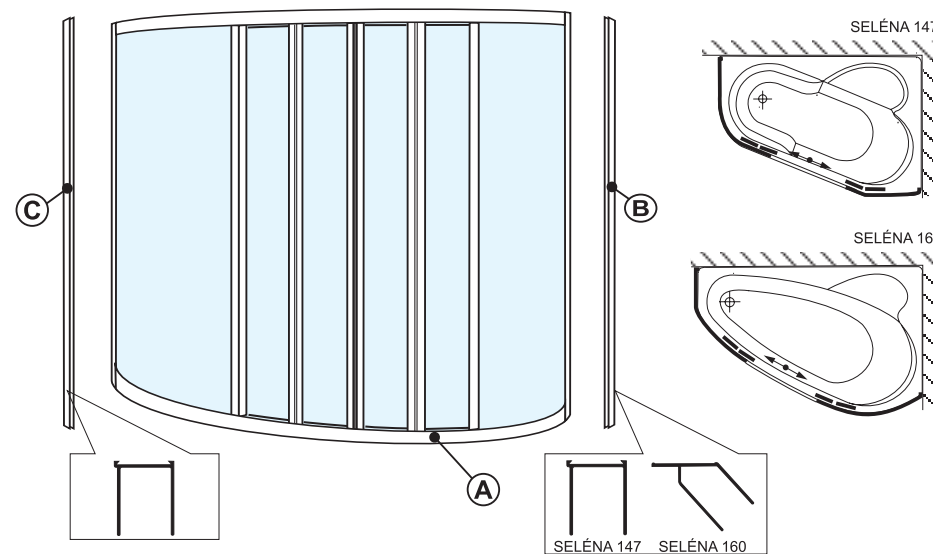



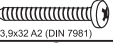


3



S

SELÉNA DLOUHÁ  
147/160 (L/P)



|   |   | SELÉNA 147 | SELÉNA 160 |
|---|---|------------|------------|
| d |  $\varnothing 8 \text{ mm}$    | 6x         | 6x         |
| e |  3.9x32 A2 (DIN 7981)          | 6x         | 6x         |
| f |  3.9x9.5 A2 (DIN 7981)         | 4x         | 4x         |
| g |  $\varnothing 12.5 \text{ mm}$ | 4x         | 7x         |

