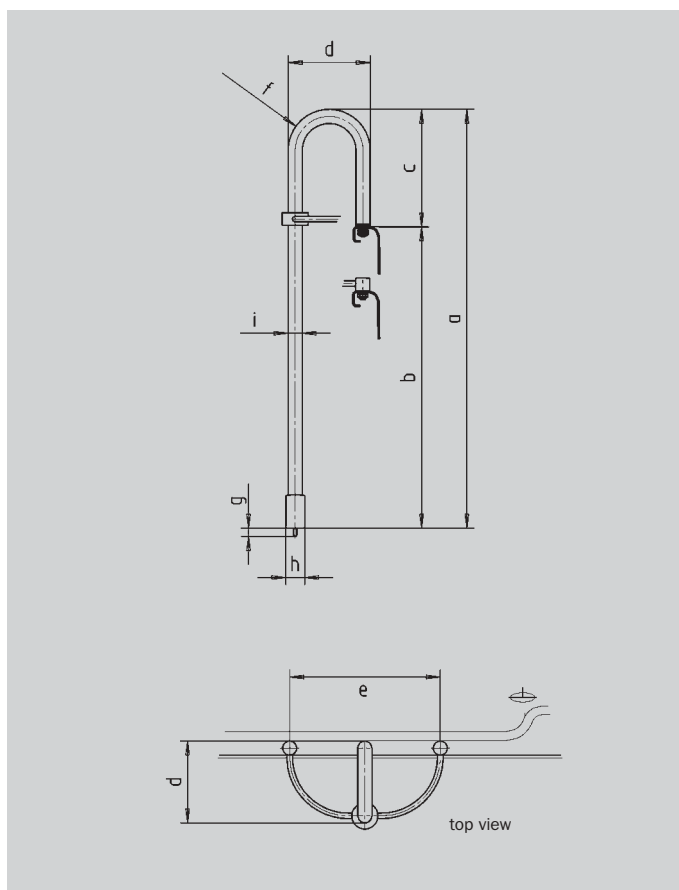


# POOL HANDLE

- makes bathtubs easy and safe to get into and out of
- particularly high-sided
- ensures a safe grip without the user having to bend down to the edge of the bathtub



Model no.		5871
Max. height of handle	a	890 mm
Max. height of bath	b	640 mm
Distance tub edge to top edge of handle	c	250 mm
Width of handle	d	174 mm
Distance between handle supports	e	320 mm
Radius	f	87 mm
Hole depth	g	20 mm
Diameter of handle sleeve	h	40 mm
Handle diameter	i	30 mm

POOL HANDLE	Model Order No.	EUR
chrome	<b>5871</b> 5871 7000 0999	
plus 3 special holes drilled for POOL HANDLE		