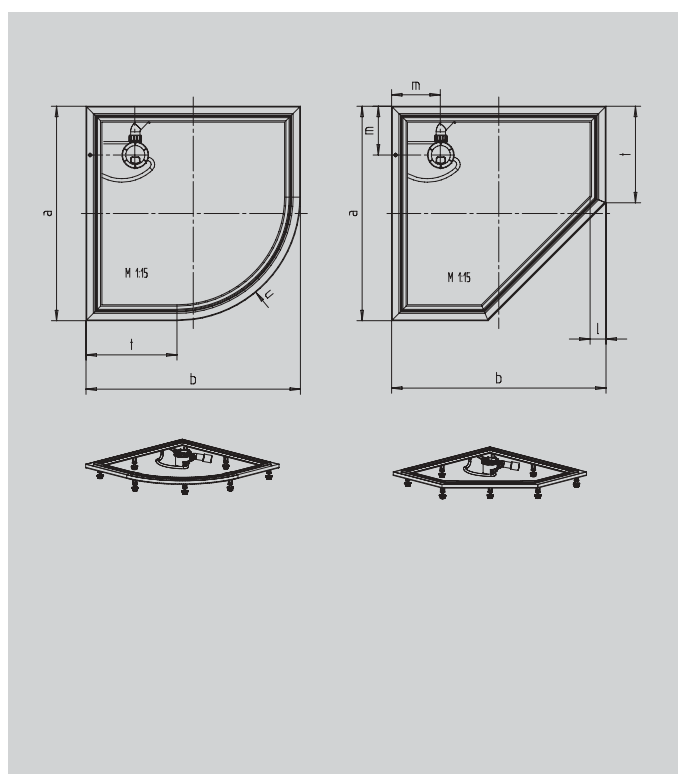


# ESR INSTALLATION SYSTEM FRAME BELLEZZA AND FONTANA WITH SPECIAL SIPHON AND DRAIN OFF CONNECTION



Model no.		90/90 FONTANA	100/100 FONTANA	90/90 BELLEZZA	100/100 BELLEZZA
External length	a	920	1020	920	1020 mm
External width	b	920	1020	920	1020 mm
Installed height min.	c	110	110	110	110 mm
Installed height max.	d	200	200	200	200 mm
Space for wall tile	e	10	10	10	10 mm
Space for floor tile	f	20	20	20	20 mm
Shower tray height with siphon	g	120	120	120	120 mm
Installed height min.	h	115	115	115	115 mm
Installed height max.	i	205	205	205	205 mm
Space for floor tile	j	25	25	25	25 mm
Shower tray height with siphon	k	128	128	128	128 mm
Frame width	l	69	69	69	69 mm
Drain connection	m	210	210	210	210 mm
Installed height min.	n	78-94	78-94	78-94	78-94 mm
Installed height max.	o	123-139	123-139	123-139	123-139 mm
Installed height min.	p	83-99	83-99	83-99	83-99 mm
Installed height max.	q	128-144	128-144	128-144	128-144 mm
Siphon connection height	r	77	77	77	77 mm
Siphon connection height	s	84	84	84	84 mm
Side length	t	390	490	464	510 mm
Radius	u	530	530	-	-

Take account of required plaster floor recess, dimensions a and b plus 4 mm

min. g = 60 mm for FONTANA and BELLEZZA (65 mm deep) 160 mm

If the structural height is less than 130 mm, take account of floor recess.

The use of check valves is recommended.

ESR Installation system frame with special siphon and drain off connection	Model Order No.	Dimensions cm	EUR
FONTANA	5845 7133 0000	90 x 90	
	5845 7132 0000	100 x 100	
BELLEZZA	5845 7131 0000	90 x 90	
	5845 7130 0000	100 x 100	