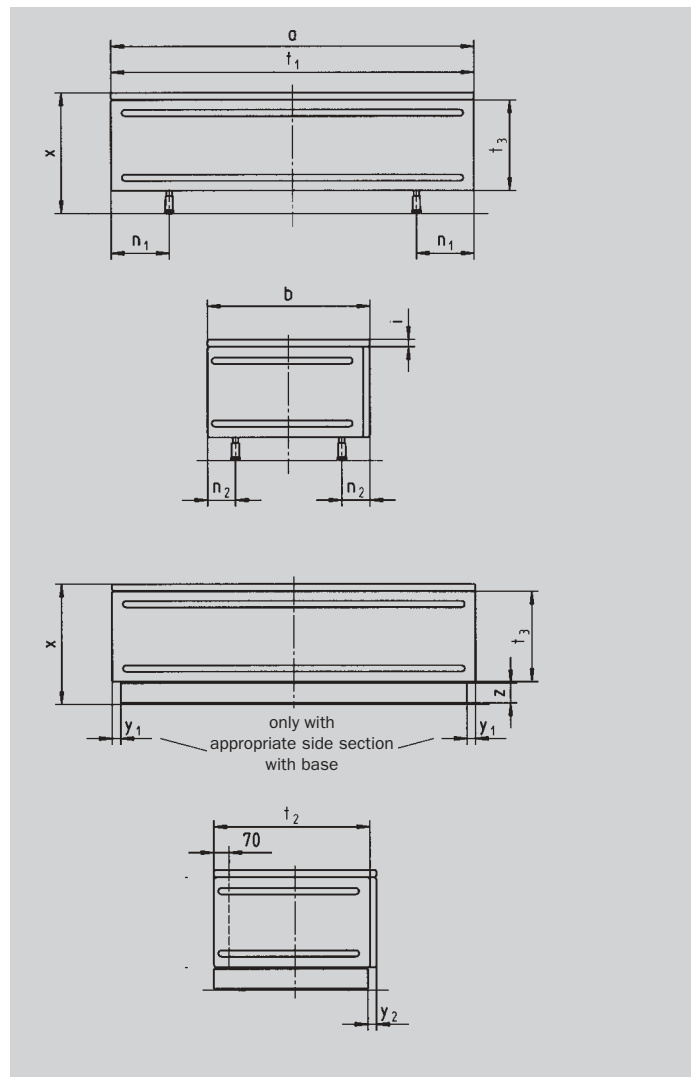


BAKO PANELING SYSTEM

- a paneling system which provides flexibility
- the bathtub can be replaced without damaging the tiles
- no bricking in and tiling
- quick installation without the nuisance of dust and noise



BAKO long section

Model no.		1400	1400/UT	1500	1500/UT	1600	1600/UT	1700	1700/UT
External length	a	1400	1400	1500	1500	1600	1600	1700	1700 mm
External width	b	-	-	-	-	-	-	-	- mm
Height of rim	i	32	32	32	32	32	32	32	32 mm
Distance tub edge to centre of base	n ₁ ; n ₂	270; 130	270; 130	270; 130	270; 130	270; 130	270; 130	270; 130	270; 130 mm
Length long section	t ₁	1400	1400	1500	1500	1600	1600	1700	1700 mm
Length side section	t ₂	-	-	-	-	-	-	-	- mm
Height long and side section	t ₃	420	420	420	420	420	420	420	420 mm
Overall height	x	560	560	560	560	560	560	560	560 mm
Base	y ₁ ; y ₂	-	40; 40	-	40; 40	-	40; 40	-	40; 40 mm
Height base	z	-	92	-	92	-	92	-	92 mm
for SANIFORM PLUS Model no.		360-1	360-1	361-1	361-1	362-1 372-1	362-1 372-1	363-1 373-1	363-1 373-1

BAKO side section

Model no.		700	700/UT	750	750/UT	700 VK70
External length	a	-	-	-	-	- mm
External width	b	700	700	750	750	700 mm
Height of rim	i	32	32	32	32	32 mm
Distance tub edge to centre of base	n ₁ ; n ₂	270; 130	270; 130	270; 130	270; 130	270; 130 mm
Length long section	t ₁	-	-	-	-	- mm
Length side section	t ₂	670	670	720	720	600 mm
Height long and side section	t ₃	420	420	420	420	420 mm
Overall height	x	560	560	560	560	560 mm
Base	y ₁ ; y ₂	-	40; 40	-	40; 40	- mm
Height base	z	-	92	-	92	- mm
for SANIFORM PLUS Model no.			360-1; 361-1 362-1; 363-1	360-1; 361-1 362-1; 363-1	372-1; 373-1	372-1; 373-1

UT = version with base VK = shortened

Subject to technical alterations.