

KALDEWEI

Europe's No.1 in Baths

Installation and maintenance instructions for

Ondoline shower partition

Mod. 8820

GB



Important instructions – read carefully!



Assembly and safety instructions



Before installation, examine the shower partition carefully for damage in transit and for completeness. Complaints must be submitted immediately! No complaints can be accepted after installation.



The installation of the shower partition must be carried out only by a trained and qualified fitter.



The shower partition consists of toughened safety glass DIN 1249, which is characterised by its high breaking strength. The safety aspect of the toughened safety glass consists in the fact that in the event of destruction by force, the glass disintegrates into small particles, which generally cannot cause any serious injuries.

However, please note the following:

– Glass edges must be protected particularly carefully from damage.

– The glass must not be put down on hard surfaces (tiles). For this reason the glass should only be put down on wood or cardboard.

– Before installation the pane should be examined once more for damage. Damaged panes must not be installed, but must be replaced. Otherwise there is a risk of sudden breakage.



Protect the bath from damage occurring during the installation of the shower partition.



When drilling holes in tiles there is a risk of breakage. It is recommended that the drill mark should be punched and/or the drilling position should be covered with adhesive tape.



The rawlplugs supplied are suitable for walls made of concrete, natural stone (dense structure), solid brick, solid lime sand brick, solid pumice stone and G4 porous concrete. Suitable anchor bolts must be used for walls made of other materials.



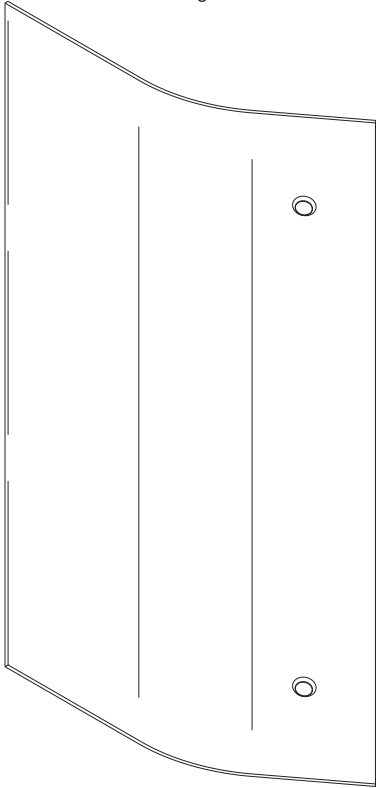
The fitter carrying out the installation must fill in the spaces on the reverse side of the installation instructions and must hand these over to the final customer.

Care and maintenance instructions

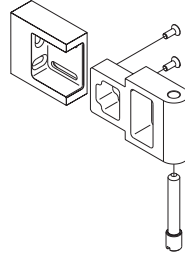
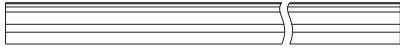


From time to time, wipe the metal and glass surfaces of the shower partition with a damp cloth or cleaning agent. Do not use aggressive cleaning or scouring agents, pipe cleaning agents or solvents containing acetone or turpentine.

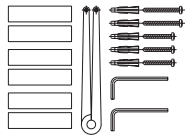
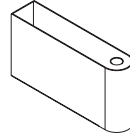
Duschabtrennungs-Glasscheibe



Baugruppe: Wandleiste

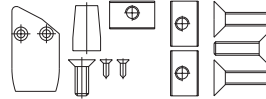


Baugruppe: Traverse



Baugruppe: Montagematerial

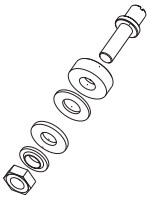
Baugruppe: Kleinmaterial Wandleiste



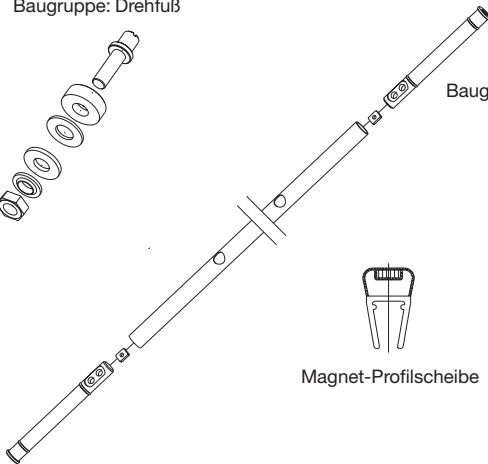
Baugruppe: Beschlagsatz



Baugruppe: Drehfuß



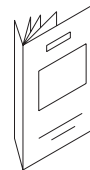
Baugruppe: Drehstange



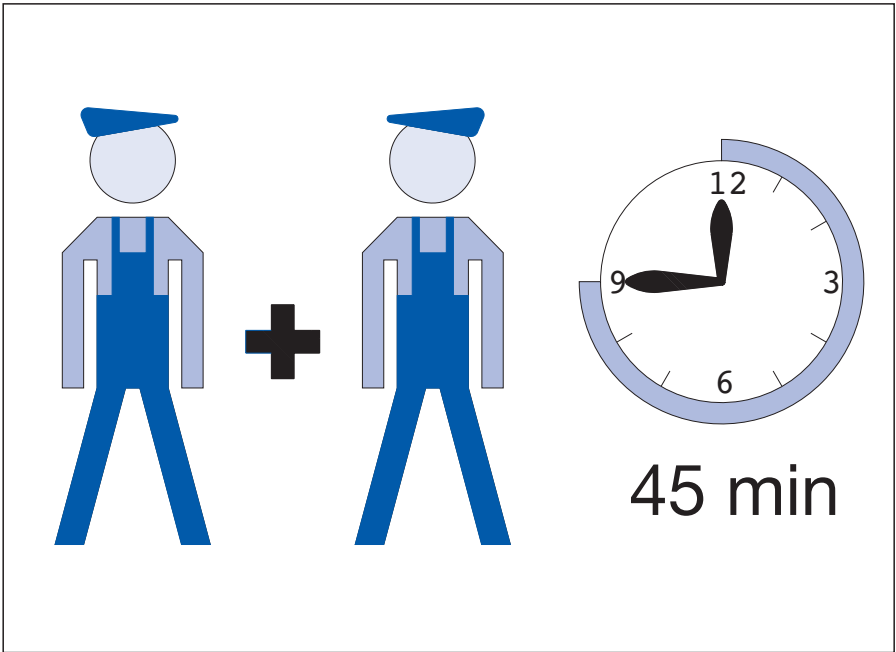
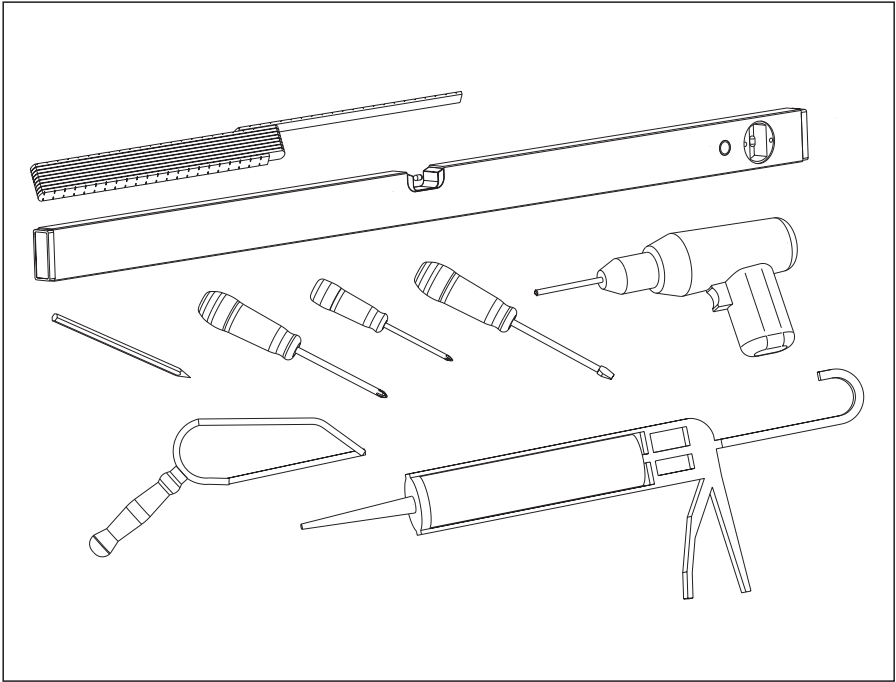
Magnet-Profilzscheibe

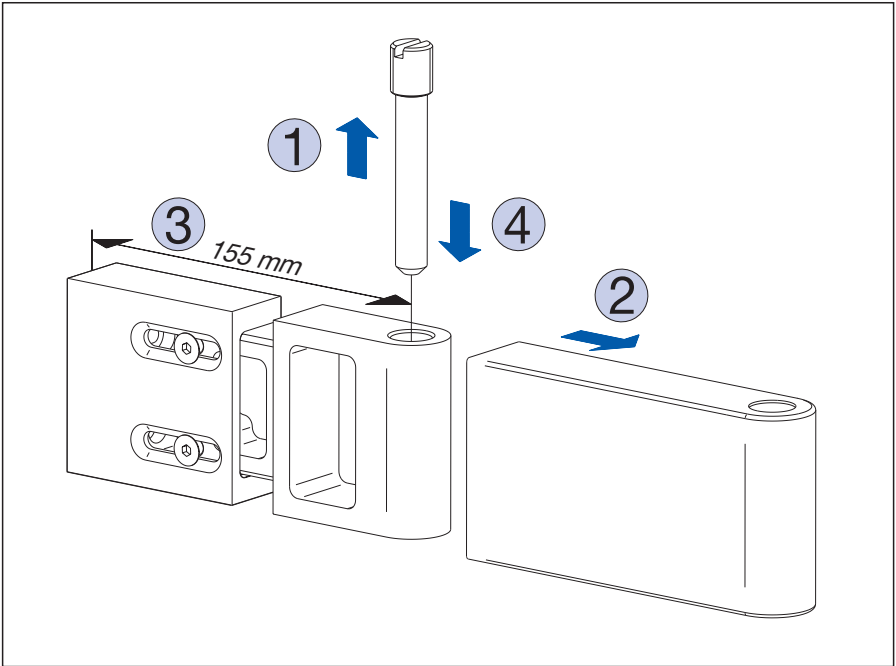
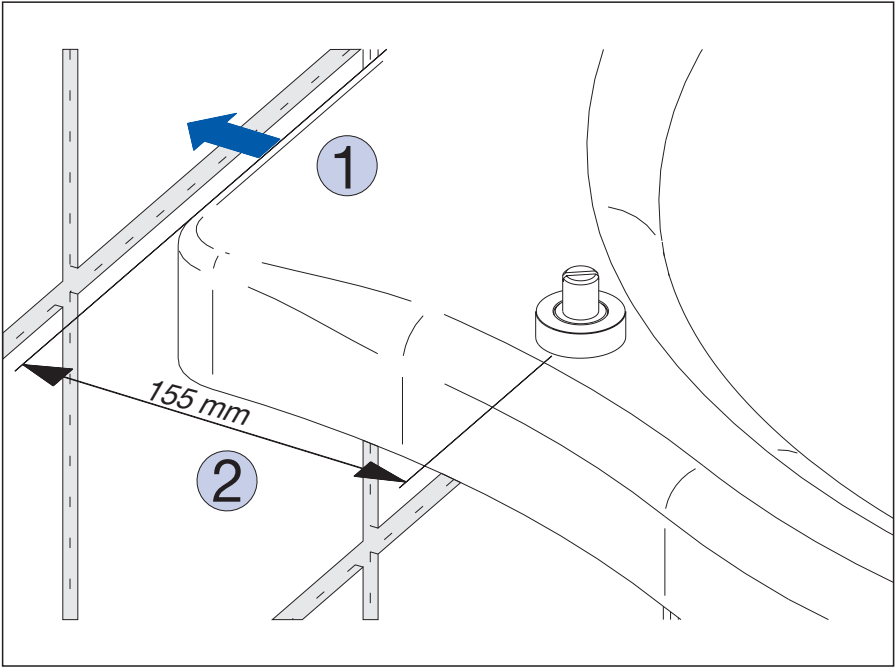


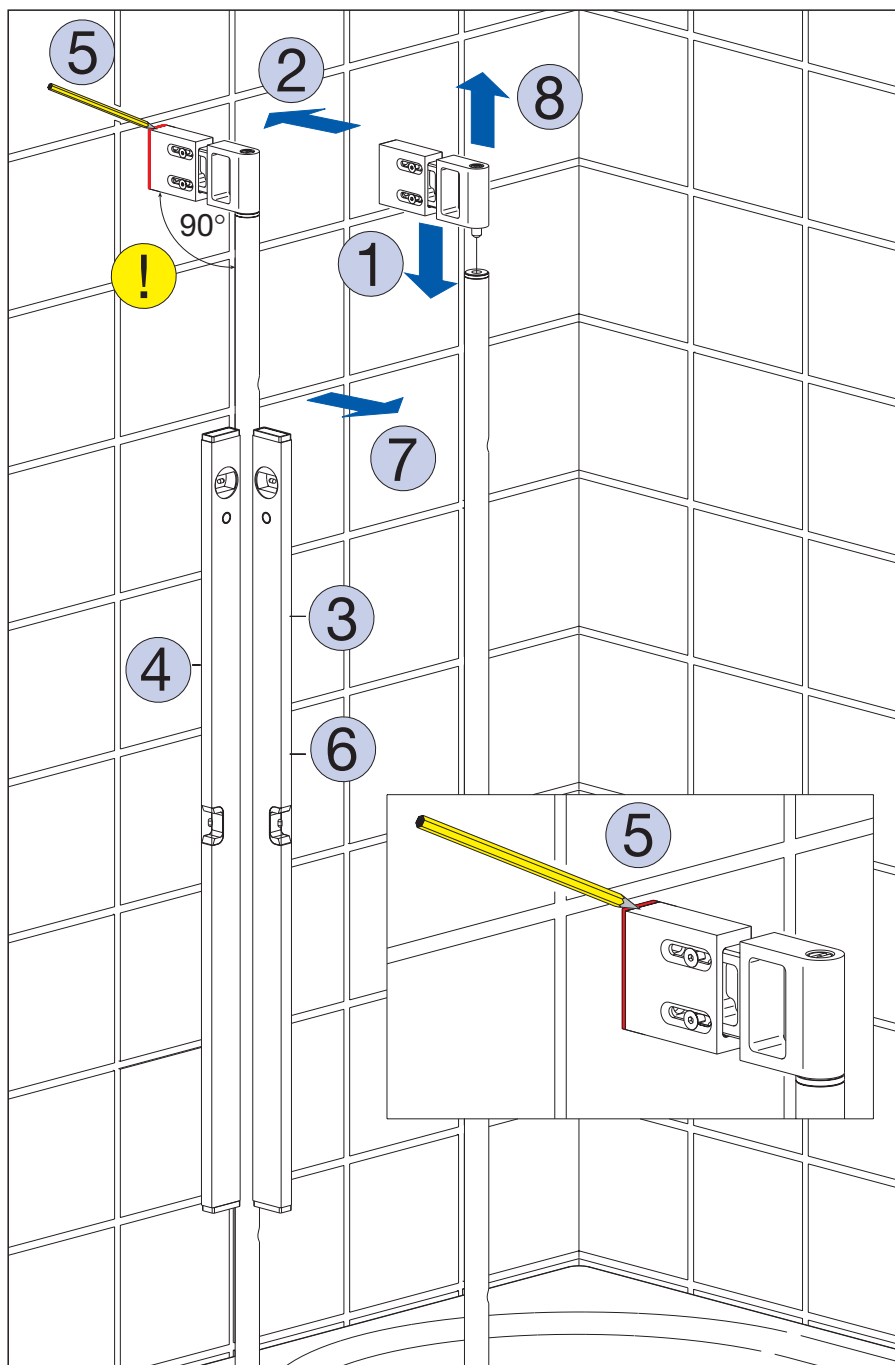
Magnetstreifen

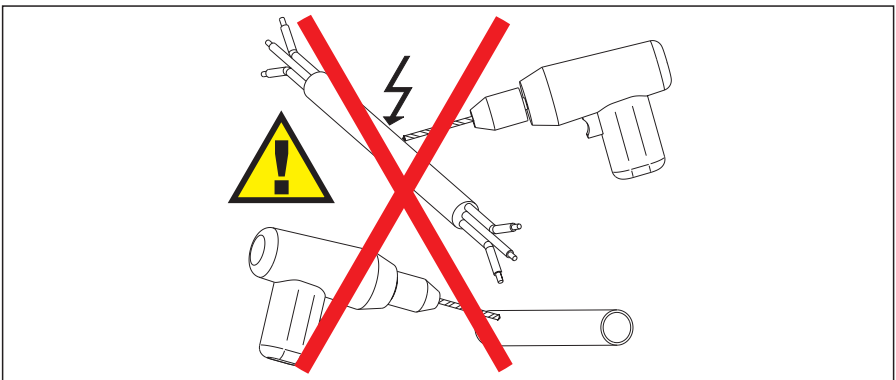
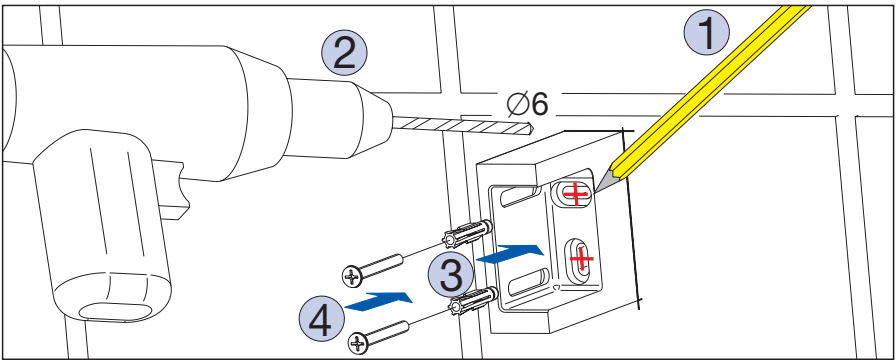
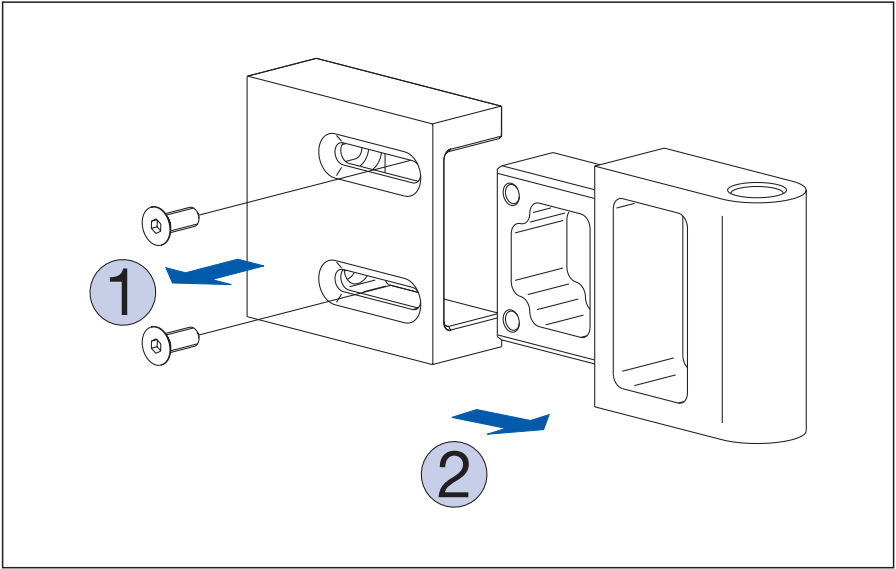


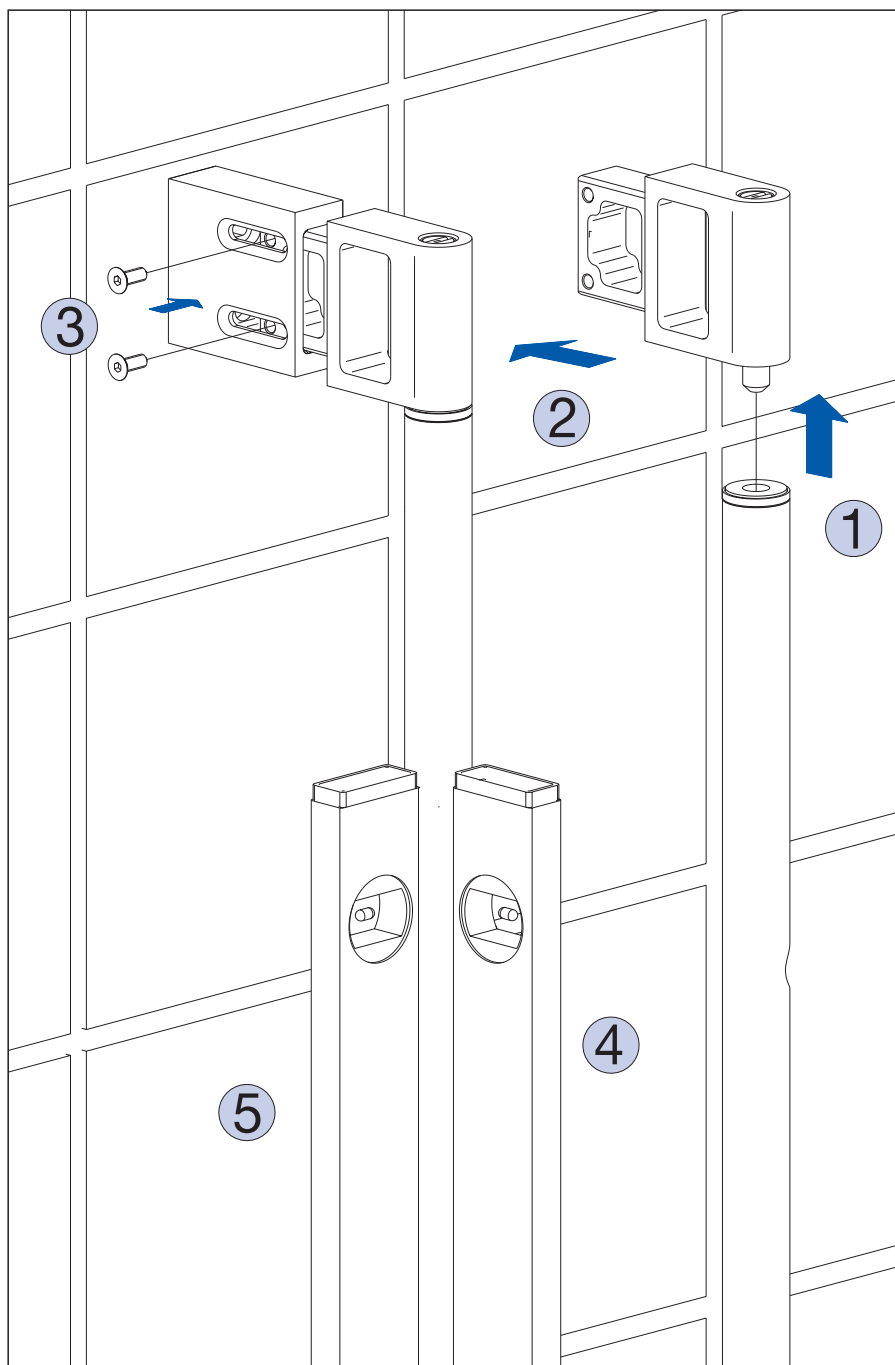
Montage- und
Bedienungs-
anleitung

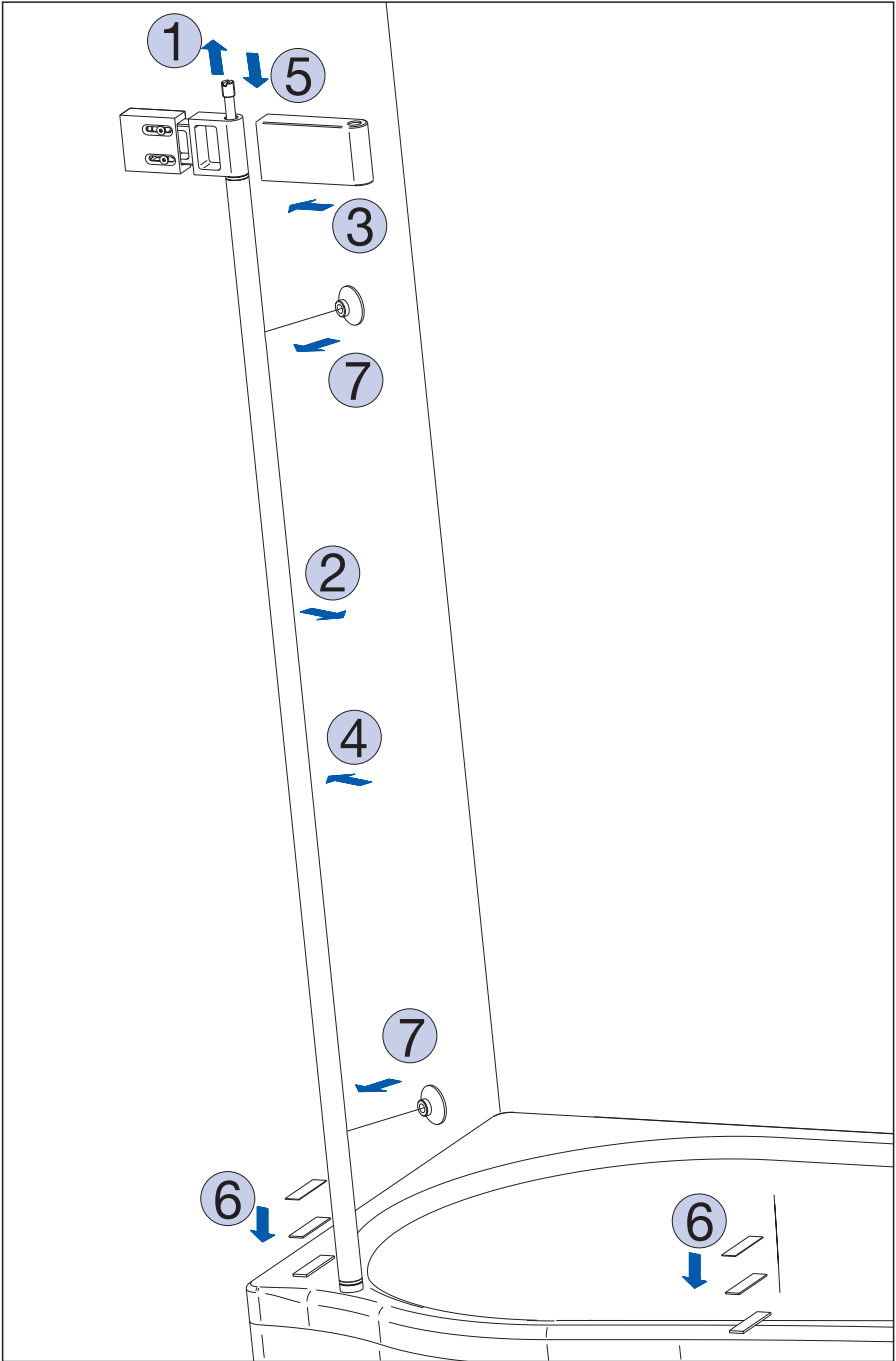


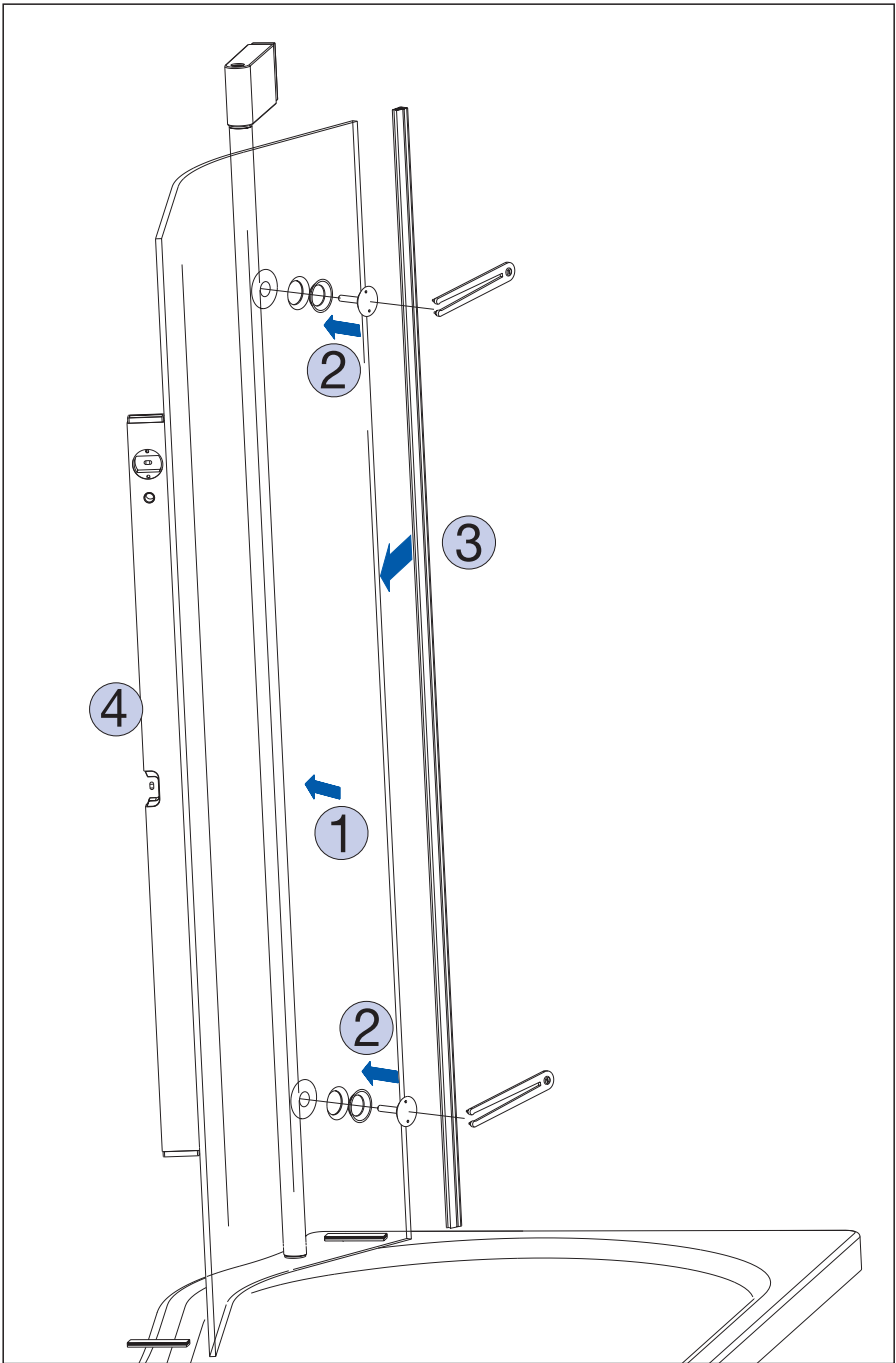


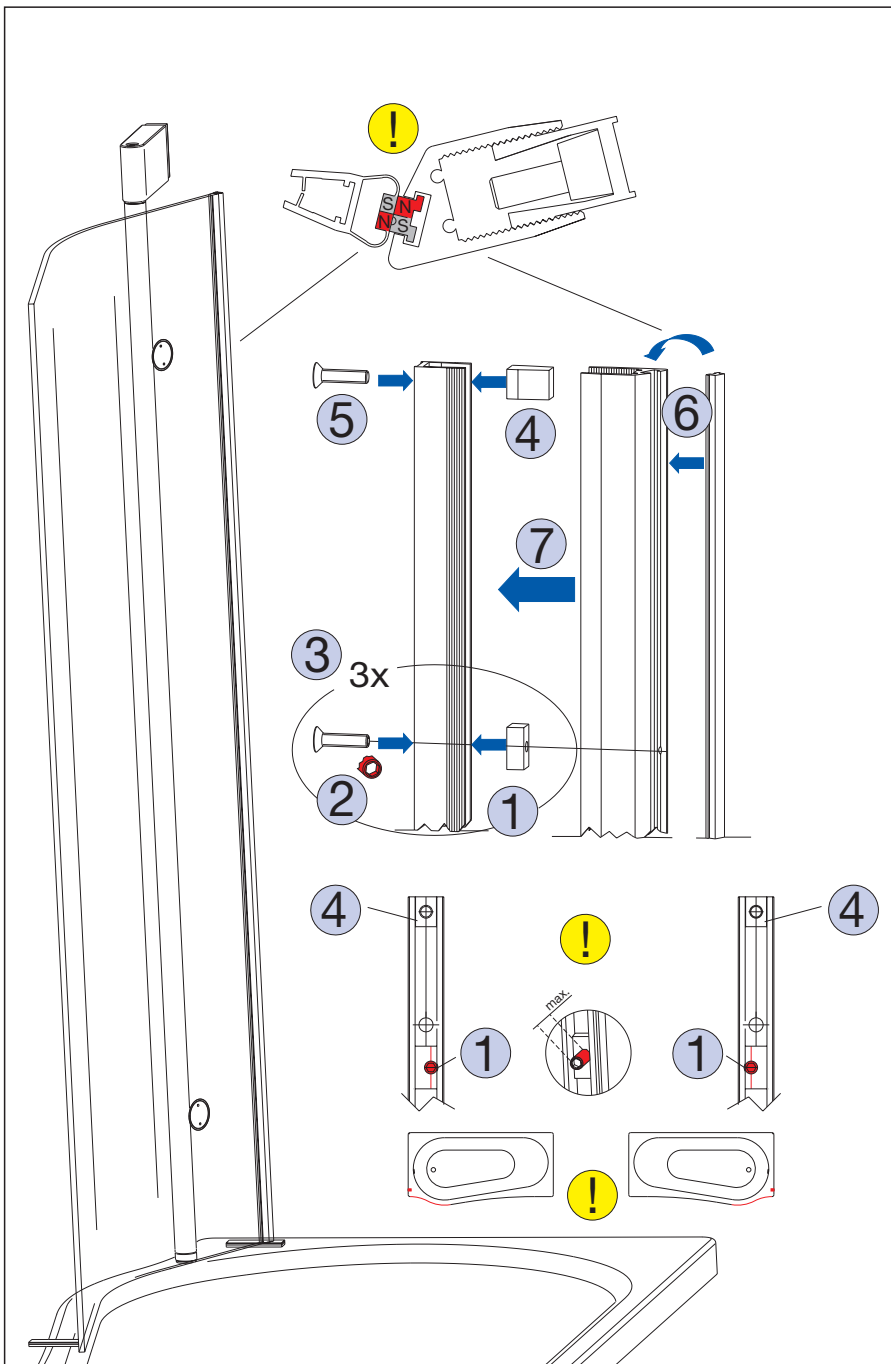


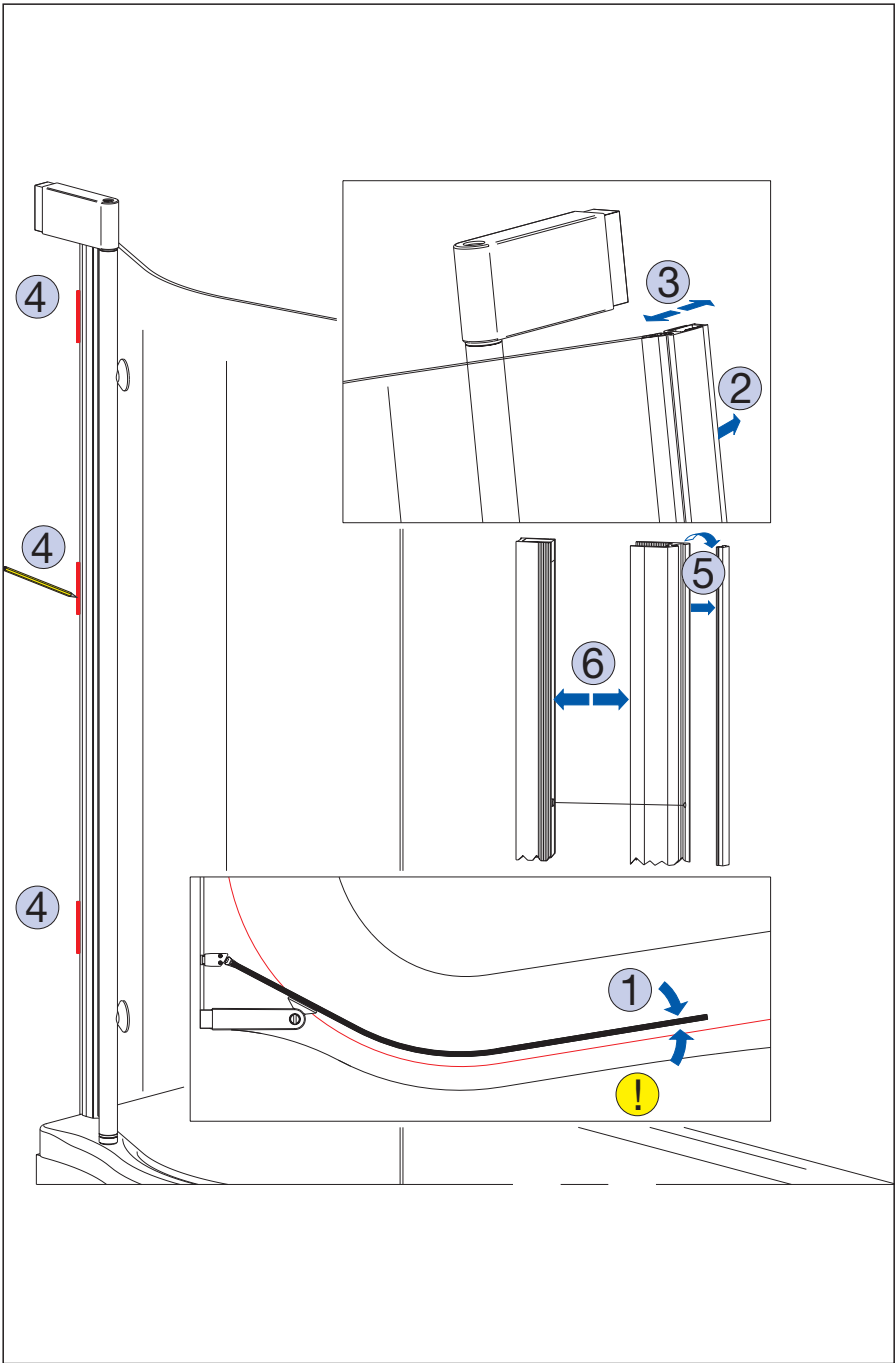


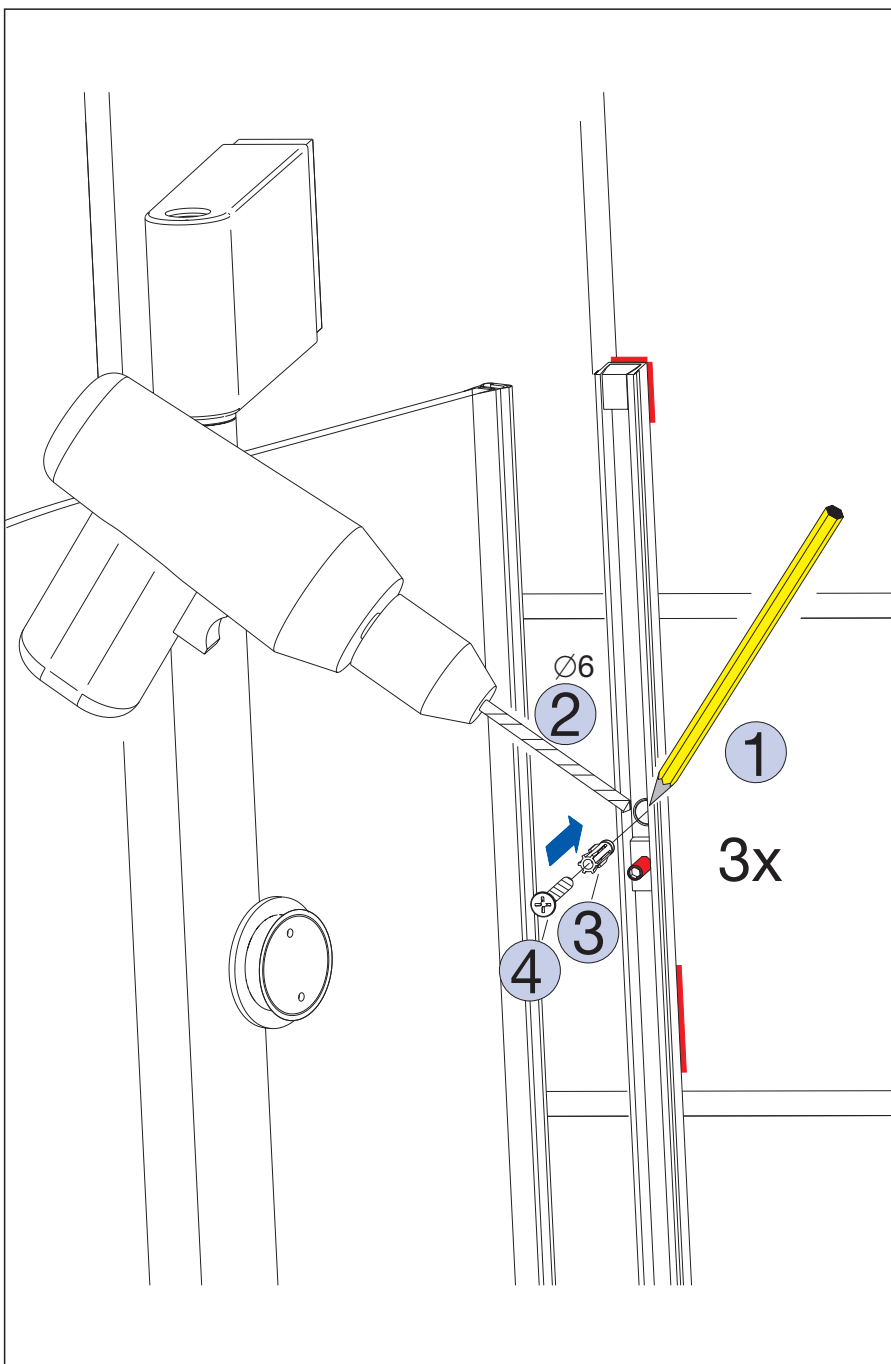


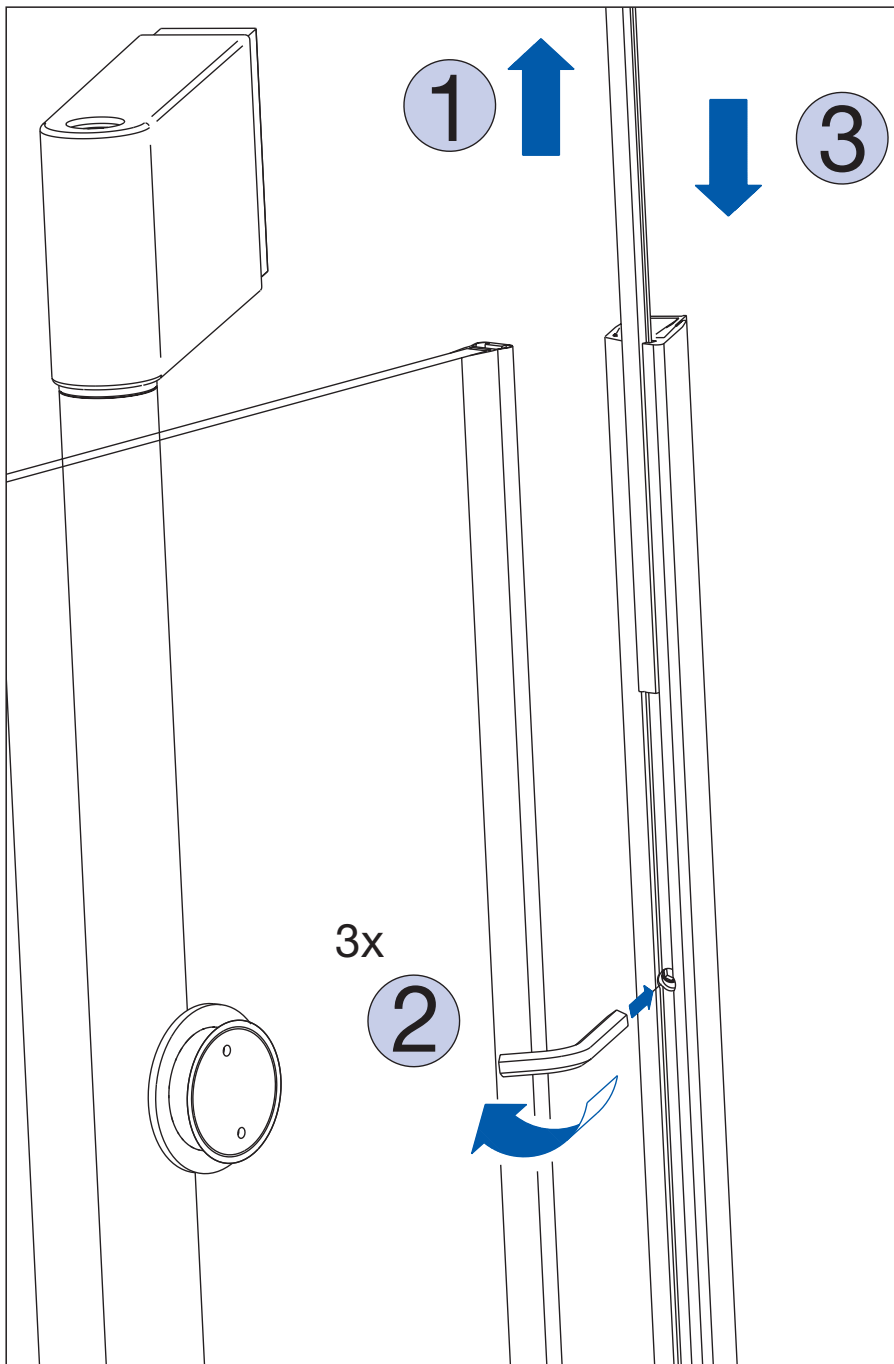


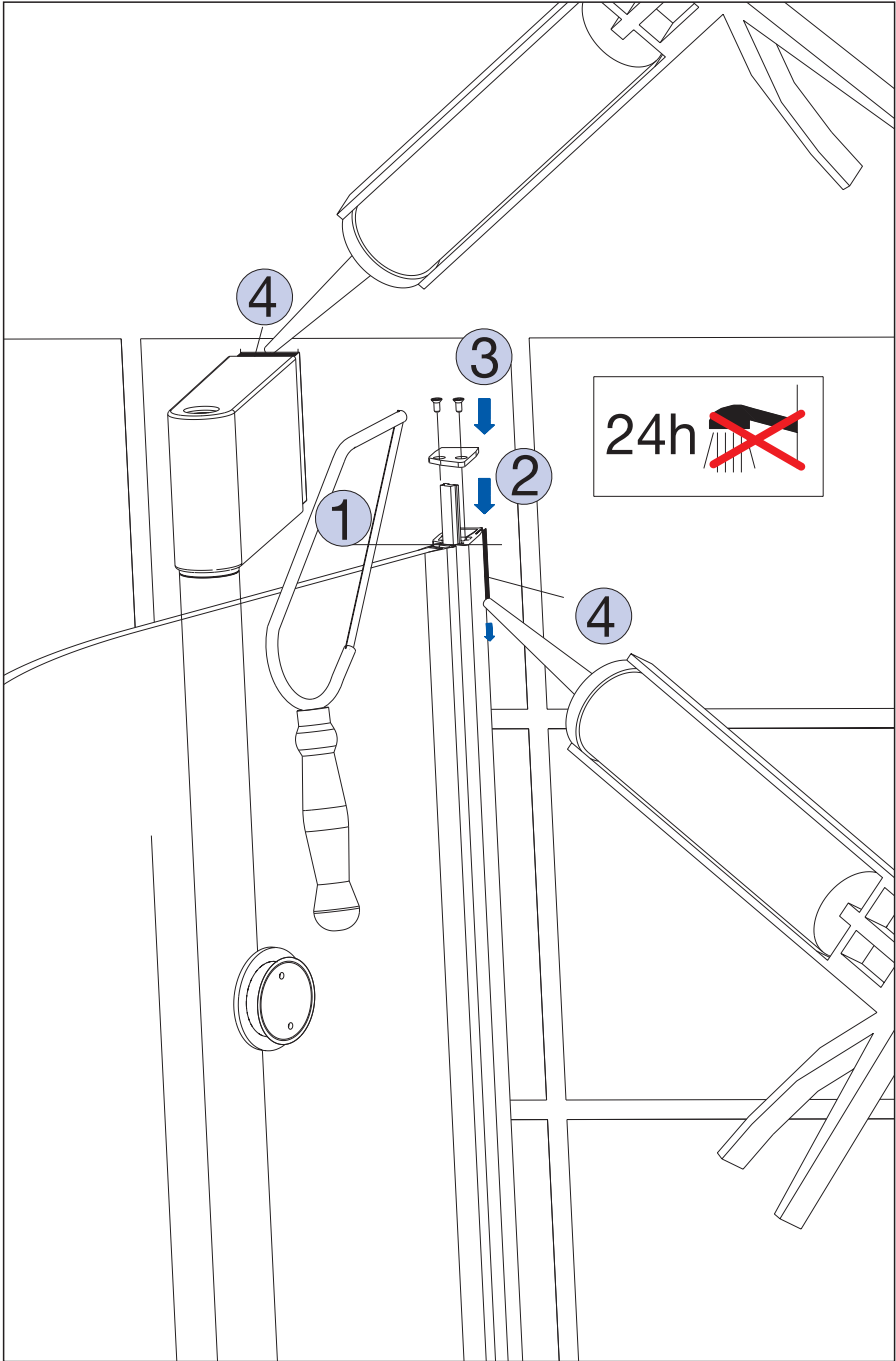


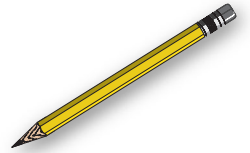












Franz Kaldewei GmbH & Co. KG
Beckumer Str. 33-35 · D-59229 Ahlen
Tel.: ++ 49 (0) 23 82 / 785-0 · Telefax: ++ 49 (0) 23 82 / 785-200
www.kaldewei.com